

STC0577-CB0A02

200W LED Flood Light

ecolighting*



產品特色

1. 使用國際大廠高信賴性的LED。
2. 超過100流明的系統發光效率。
3. 支架設計，具有固定和角度調整功能。
4. IP65防護。
5. 符合CE和PSE安規。
6. 壽命比高壓鈉燈，金屬鹵化物和鹵素照明燈多3~5倍。

Features

1. High power reliable LED used.
2. High system efficiency of more than 100 Lm/W.
3. Trestle design with fixed and angle-adjusted type.
4. IP65 protection.
5. Compliant with CE & PSE.
6. Lifespan is 3~5 times than lifespan of HPS, metal halide and halogen floodlight.



綠明科技股份有限公司

地址：新北市中和區建一路186號B1

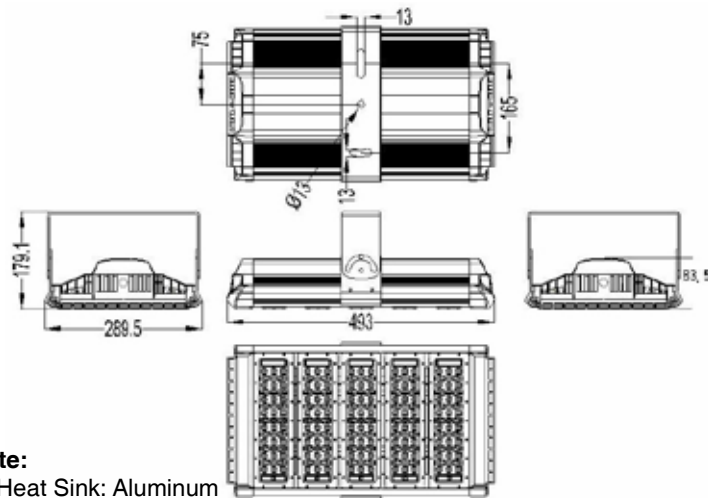
E-mail: sale@ecolighting.com.tw

電話：886-2-8228-0566 傳真：886-2-8228-0577

ecolighting*

Specification

Model	STC0577-CB0A02	STC0577-WB0A02
Voltage Range	100~277 Vac	100~277 Vac
Frequency Range	50/60 HZ	50/60HZ
Power Consumption	200W (typ.)	200W (typ.)
Power Factor	0.9 (min.)	0.9 (min.)
Surge	4kV (max.)	4kV (max.)
Emitting Color	Cool White	Warm White
Color Temperature	5000K (typ.)	3000K (typ.)
Luminous Flux	20000 Lm (typ.)	17000 Lm (typ.)
Color Rendering Index	70 (typ.)	80 (typ.)
LED Lifetime (Decay to 70%)	40,000hrs (min.)	40,000hrs (min.)
Illuminance at 1m	13090 Lux (typ.)	11124 Lux (typ.)
Beam Angle (10%)	75°	75°
Operating Temperature	-20°C~+50°C	-20°C~+50°C
Operating Humidity	5~95% RH	5~95% RH
Fixture Material	Aluminum	Aluminum
Weight	8.0kg	8.0kg
IP Rating	IP65	IP65
Dimensions	493mmx289.5mmx83.5mm	493mmx289.5mmx83.5mm



- Note:**
1. Heat Sink: Aluminum
 2. Optics: Polycarbonate Lens

Unit:mm
單位:公厘

Ecolighting, Inc.

No.186-B1, Jian 1st Rd., Zhonghe Dist., New Taipei City 235, Taiwan (R.O.C.)

E-mail: sale@ecolighting.com.tw

TEL : 886-2-8228-0566 FAX : 886-2-8228-0577

ecolighting®